

How Do Simple Machines Help People Do Work?



Would you consider this work?



work

the use of force to move an object over a distance

Understanding the scientific definition

Not Work



Work



Understanding the scientific definition

Not Work



Work



Understanding the scientific definition

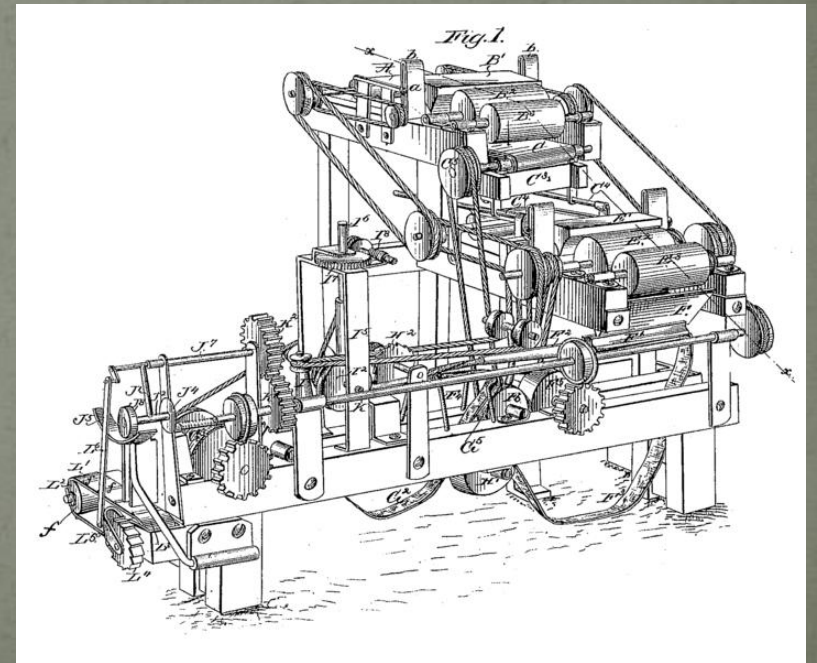
Not Work



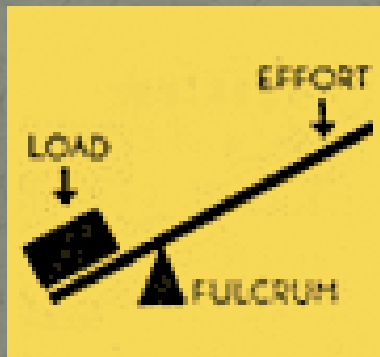
Work



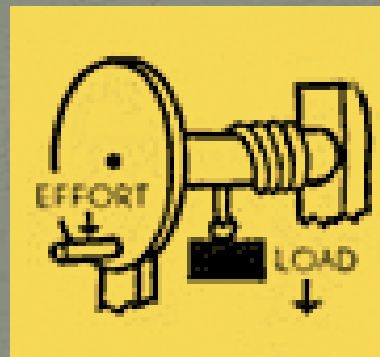
A machine is anything that changes the way work is done.



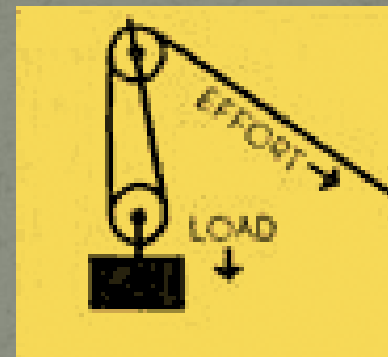
simple machine: a machine with few or no moving parts to which you apply just one force.



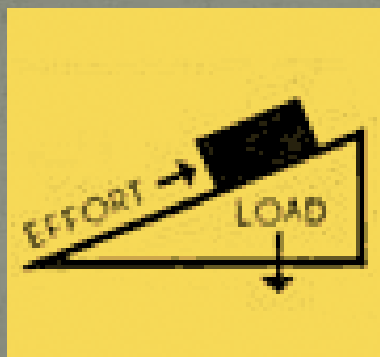
Lever



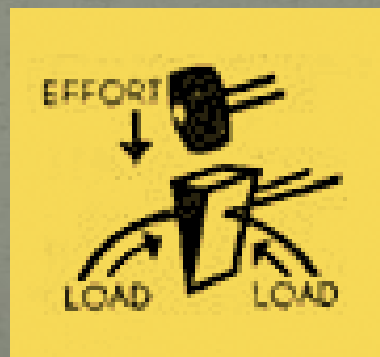
Wheel & Axel



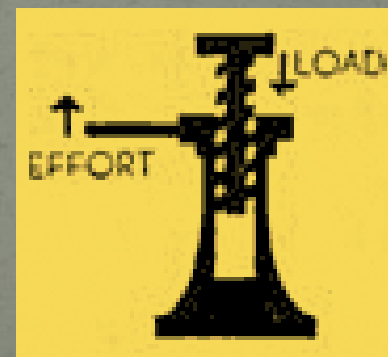
Pulley



Inclined Plane



Wedge



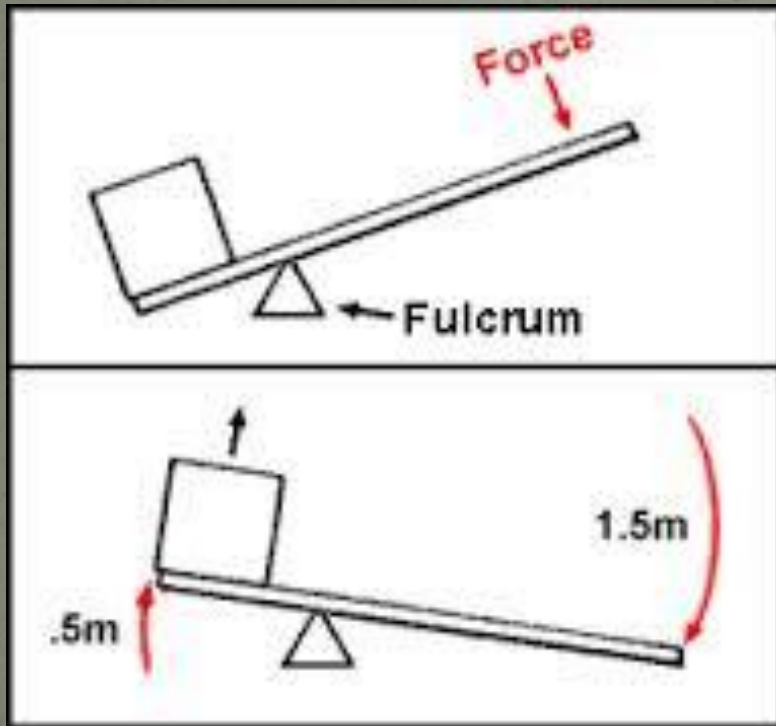
Screw

The pry bar is a simple machine.



Two ways a machine might change the way work is done:

The direction



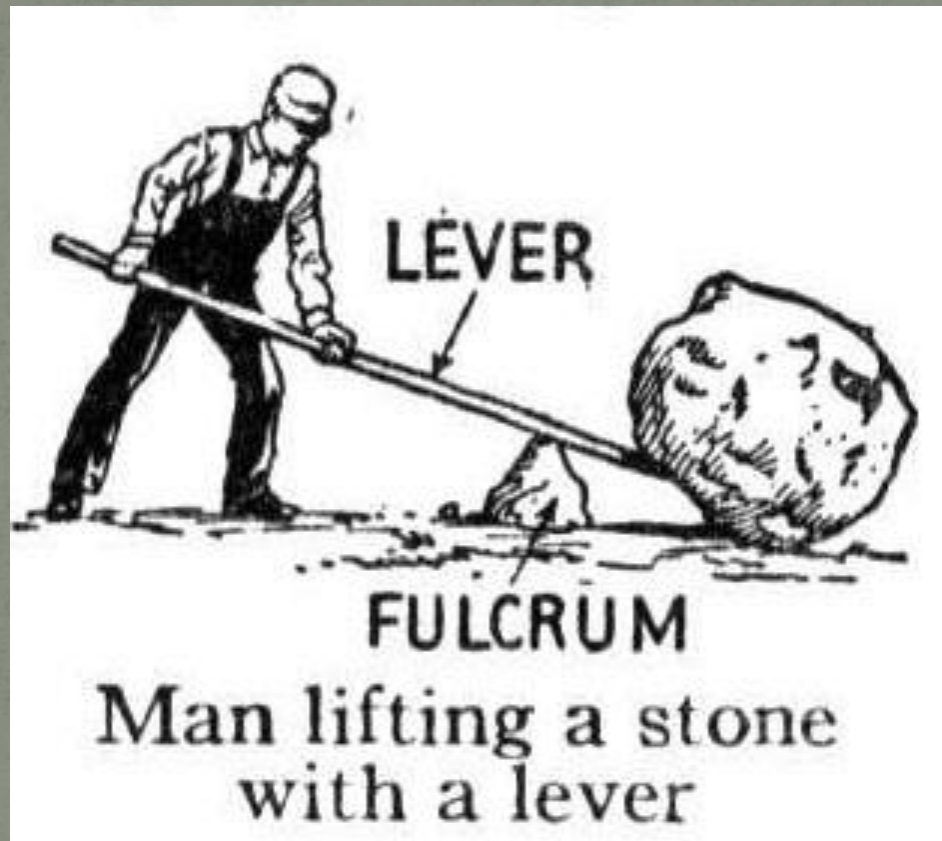
The amount of force used



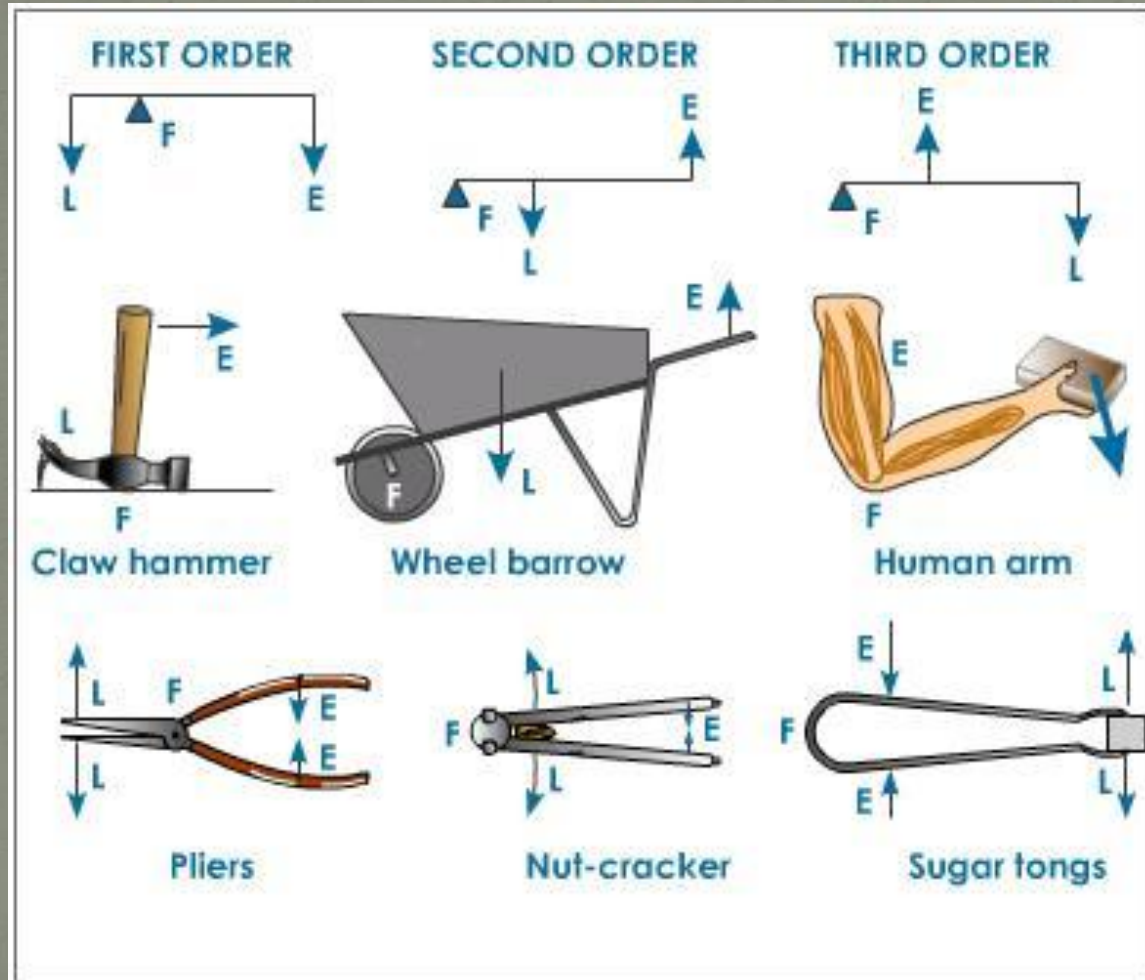
lever

A bar that pivots on a fixed point

fulcrum: the fixed point on a lever



Three types of levers:



Three types of levers:

