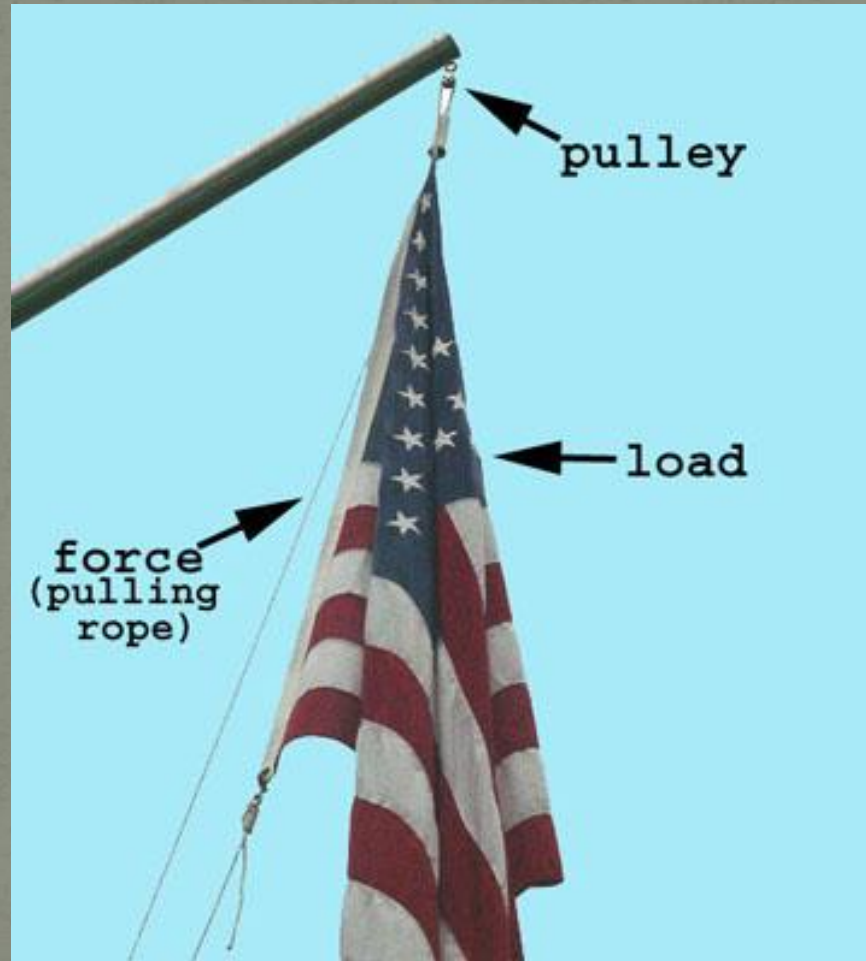


# How Do a Pulley and a Wheel-and-Axle Help Us Do Work?



You could climb to the top of the pole,  
but who would do that?



# pulley

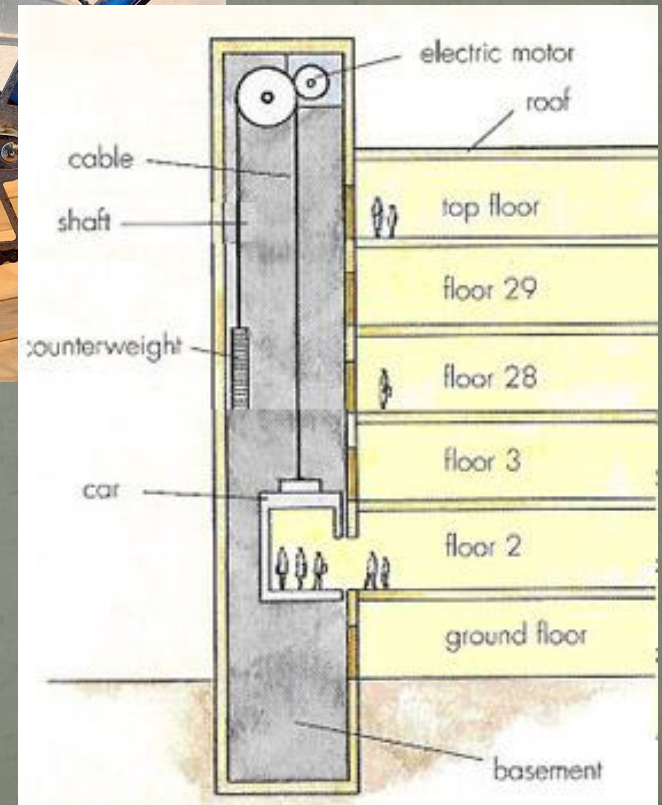
---

a wheel with a line around it

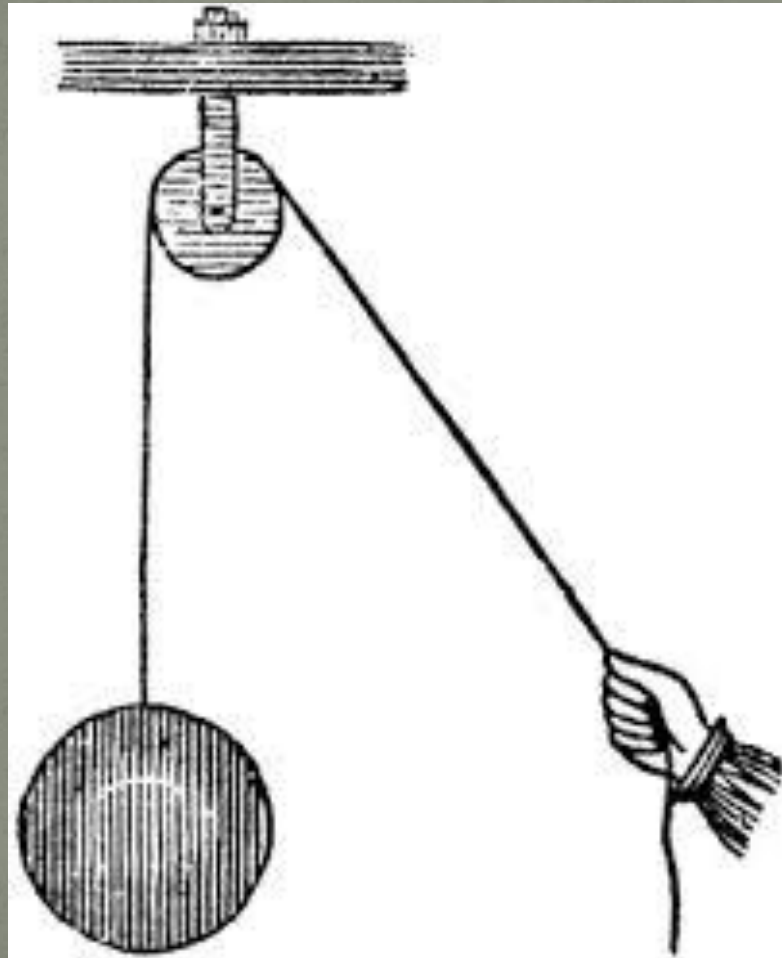




# Some everyday uses of a pulley:



A pulley changes the direction of the force.

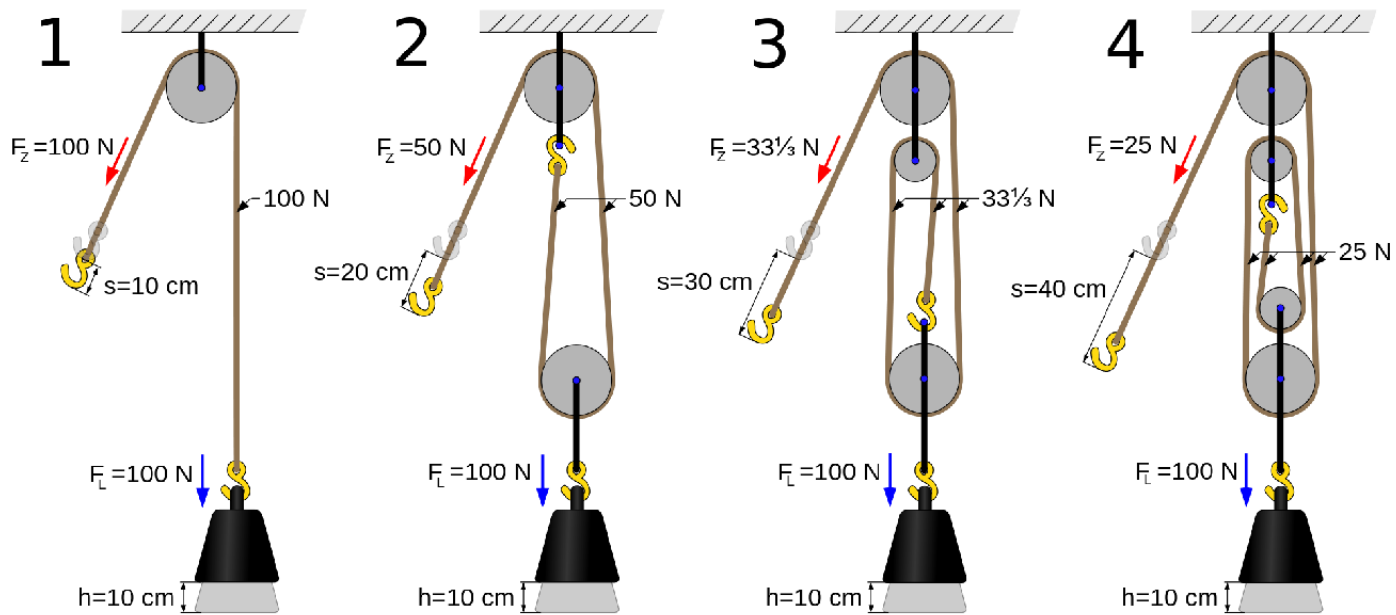




A single fixed pulley doesn't change the amount of force needed.



## Basics of Robotic Mechanisms - PULLEY SYSTEMS

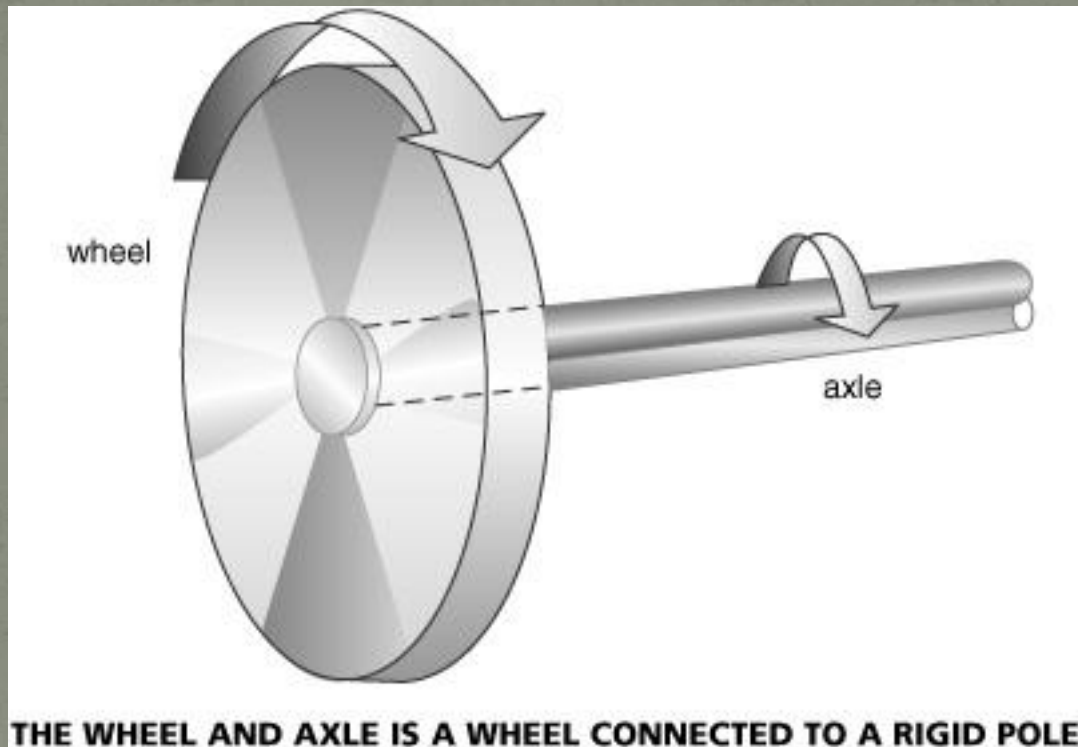


Force and Distance used in Pulley Systems

[www.robotee.com](http://www.robotee.com)

**Robot**ee.com

To be a simple machine, the wheel and the axle must turn together.





# Wheel-and-Axles are used in mills.





A wheel-and-axle changes the way work is done (not the direction).

