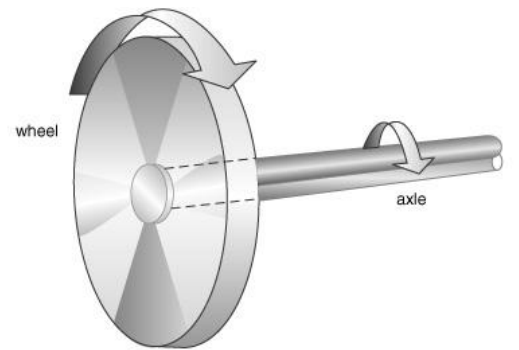


Pulley & Wheel-and-Axle



THE WHEEL AND AXLE IS A WHEEL CONNECTED TO A RIGID POLE.

1. What is a pulley?

-A _____ with a _____ around it.

-Everyday examples:

-

-

-

2. How does a pulley help us do work?

-It changes the _____ of the _____.

-A single _____ pulley doesn't change the _____ of force needed.

1. How does a wheel-and-axle qualify as a simple machine?

-It must have a wheel and an axle that _____.

2. How does a wheel-and-axle help us do work?

-It changes the _____ work is _____ (not the _____)